

For Mounting Heights To 8' (environmental separation) and 7' (insect control)

STANDARD CONSTRUCTION

- 11" high x 23" deep
- 1/5 hp EC motor(s)
- Intelliswitch™ digital controller - ten speeds
- Berner AIR™ (smart controller & app) includes BACnet
- Cabinet: Brushed Stainless Steel, Grade 304 or better
- Bottom Panel: Clear satin anodized aluminum
(Optional: White Aluminum, Custom Color or Stainless)
- Wall or Top Mounting
- High efficiency, low noise, articulating Pro-V Nozzle
- Filter (washable)
- Optional: Rear cover for top mounting to conceal fasteners

Energy Codes ASHRAE 90.1-2019, IECC 2018, and ASHRAE 189.1 vestibule exception validated by AMCA certification. Refer to Velocity Projection Chart below for information.



Berner International Corporation certifies that the air curtains shown herein are licensed to bear the AMCA Seal. The ratings shown are based on tests and procedures performed in accordance with AMCA Publication 211 and comply with the requirements of the AMCA Certified Ratings Program. Rated data shown is for base (unheated) units. The AMCA Certified Ratings Seal applies to airflow rate, average outlet velocity, outlet velocity uniformity, velocity projection and power rating at free delivery only.

5 Year Limited Warranty

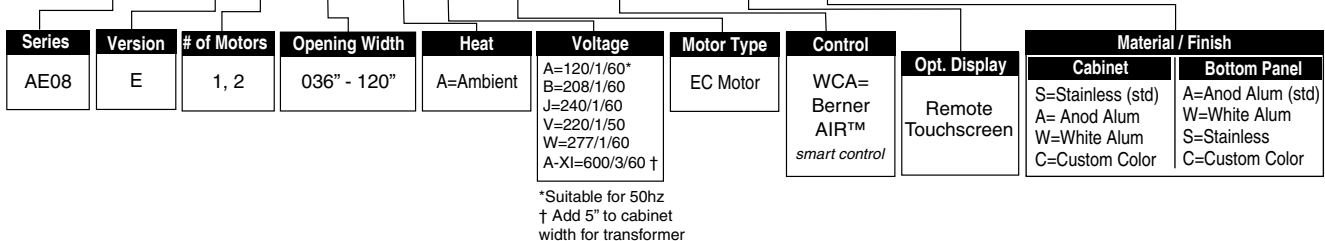


MODEL	Nozzle Width (in)	Max Vel. at Nozzle (fpm)	Avg. Outlet Vel. (fpm)	Air Volume (cfm)	Outlet Vel. Uniformity	Power Rating (kW)	Motor(s) @ hp	Net Wt. (lbs)
AE08-E-1036A	36.00	2,447	1,790	1,007	57%	0.27	1 @ 1/5	52
AE08-E-1042A	42.00	2,274	1,964	1,289	56%	0.33	1 @ 1/5	59
AE08-E-1048A	48.00	2,376	1,956	1,467	63%	0.38	1 @ 1/5	66
AE08-E-1060A	60.00	2,314	1,983	1,859	63%	0.48	1 @ 1/5	81
AE08-E-1072A	72.00	2,301	2,002	2,252	76%	0.56	1 @ 1/5	95
AE08-E-2084A	84.00	2,274	1,964	2,578	56%	0.66	2 @ 1/5	117
AE08-E-2096A	96.00	2,376	1,956	2,934	63%	0.76	2 @ 1/5	132
AE08-E-2108A	108.00	2,376	1,971	3,326	63%	0.86	2 @ 1/5	146
AE08-E-2120A	117.00	2,314	2,034	3,718	63%	0.96	2 @ 1/5	157

See sheet EP-220E for amp draws/total load requirements. 600/3/60 power supply includes an extended cabinet, See drawing AE08-E-AMB-TR.

MODEL NUMBER CONFIGURATION

AE08-E-1 036 A A-EC-WCA -TB-SA



VELOCITY PROJECTION: Model AE08-E-1036A			
Distance from Nozzle (in)	40	80	120
Core Velocity (fpm)	1328	1005	818
Uniformity (%)	56	71	82

ASHRAE 90.1-2019 vestibule exception requires, "a jet velocity of not less than 6.6 feet per second (2.0 m/s; 400 fpm) at 6.0 in (15 cm) above the floor."

Sound level measured 10' (3m) from the unit in free field:

1 motor: Min./Max. Speed: 50/53 dBA

2 motors: Min./Max. Speed: 53/56 dBA

Sound data is not AMCA certified.

Berner reserves the right to alter specifications without prior notice.



ARCHITECTURAL ELITE 8

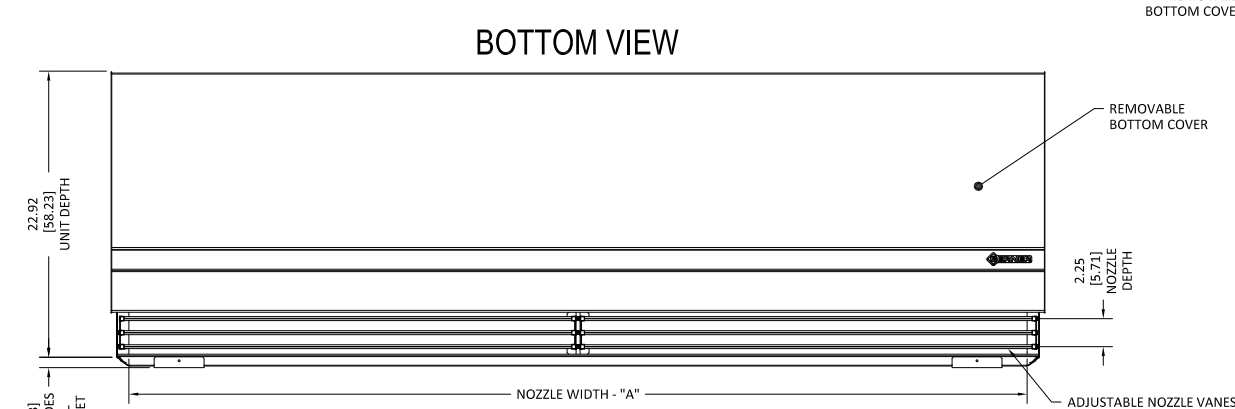
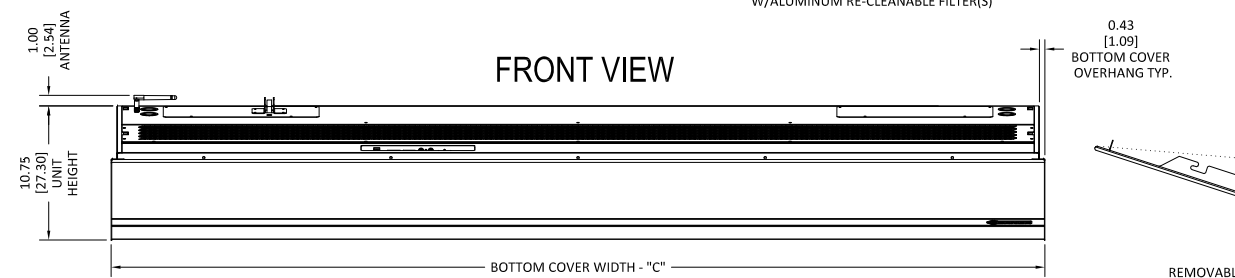
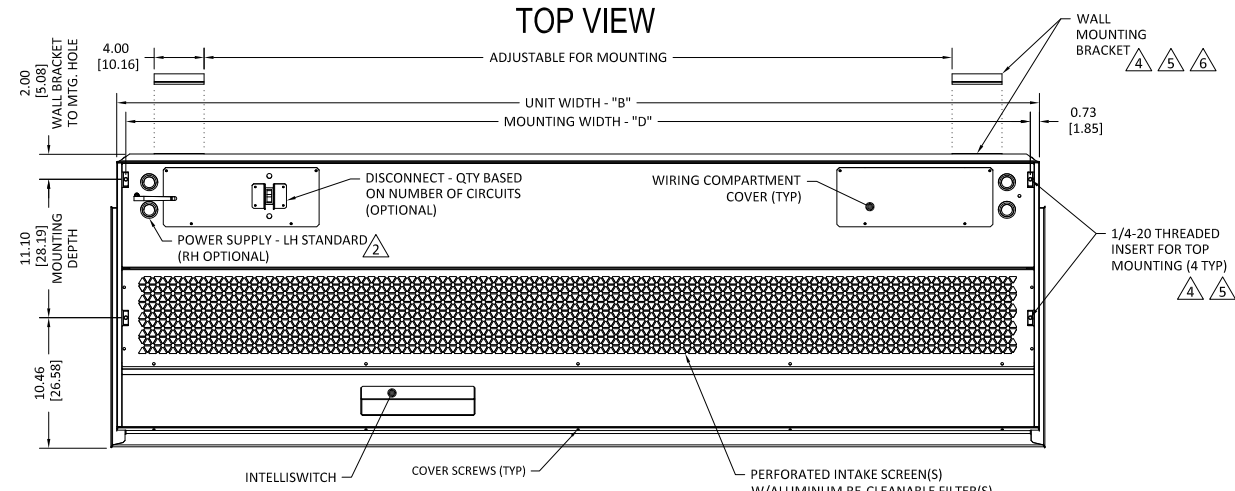
Ambient (Unheated) Air Curtain
Electrical Performance Sheet

		120/1/60 (voltage code A) MOTOR AMP DRAW = 4.4 each		208/1/60 (voltage code B) MOTOR AMP DRAW = 2.5 each		240/1/60 (voltage code J) or 220/1/50 (voltage code V) MOTOR AMP DRAW = 2.5 each			
MODEL	# CKTS	AMPS PER CIRCUIT	BREAKER RATING PER CIRCUIT	# CKTS	AMPS PER CIRCUIT	BREAKER RATING PER CIRCUIT	# CKTS	AMPS PER CIRCUIT	BREAKER RATING PER CIRCUIT
AE08-E-1036A AE08-E-1042A AE08-E-1048A AE08-E-1060A AE08-E-1072A	1	4.4	15	1	2.5	15	1	2.5	15
AE08-E-2084A AE08-E-2096A AE08-E-2108A AE08-E-2120A	1	8.8	15	1	5.0	15	1	5.0	15

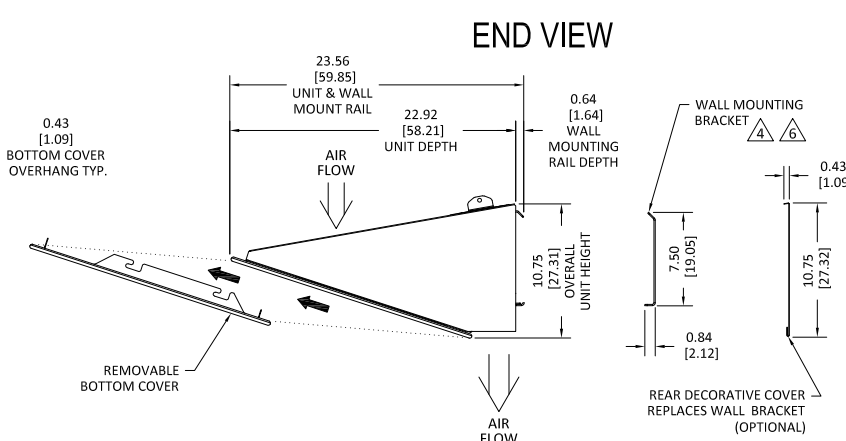
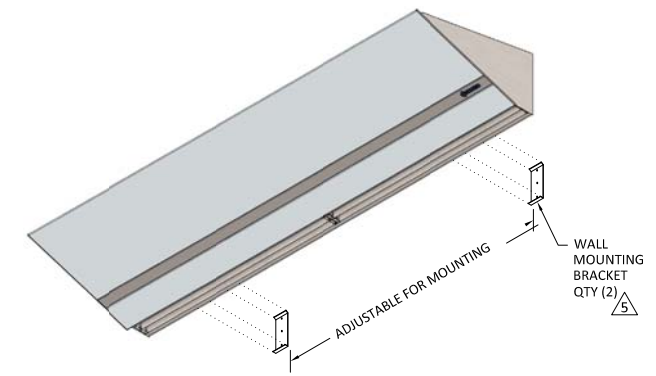
		277/1/60 (voltage code W) MOTOR AMP DRAW = 2.2 each		600/3/60 (voltage code A-XI) XFMR 600/120 0.5kVA per MTR @0.8 each MOTOR AMP DRAW = 4.4 each @ 120V		
MODEL	# CKTS	AMPS PER CIRCUIT	BREAKER RATING PER CIRCUIT	# CKTS	AMPS PER CIRCUIT	BREAKER RATING PER CIRCUIT
AE08-E-1036A AE08-E-1042A AE08-E-1048A AE08-E-1060A AE08-E-1072A	1	2.2	15	1	0.8	15
AE08-E-2084A AE08-E-2096A AE08-E-2108A AE08-E-2120A	1	4.4	15	1	1.7	15

Berner reserves the right to alter specifications without prior notice.

AE08-E AMBIENT (UNHEATED) SYSTEM: 120 - 277V & 380V



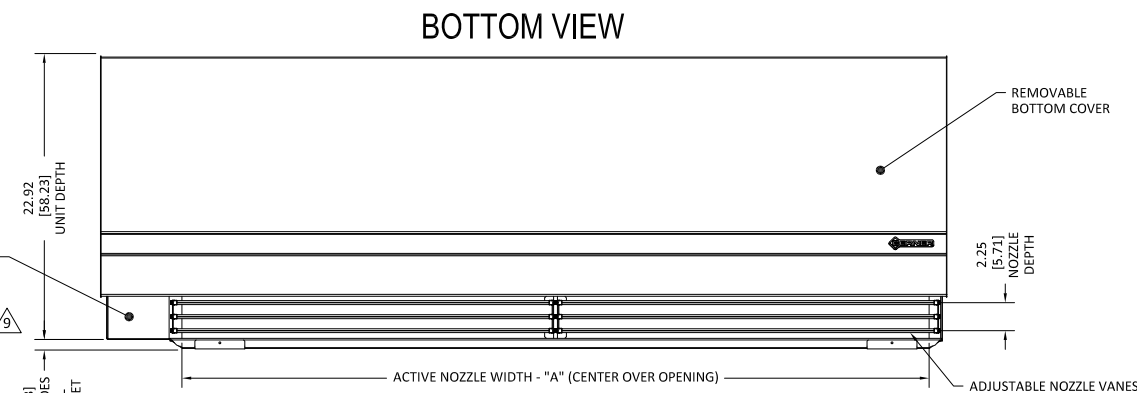
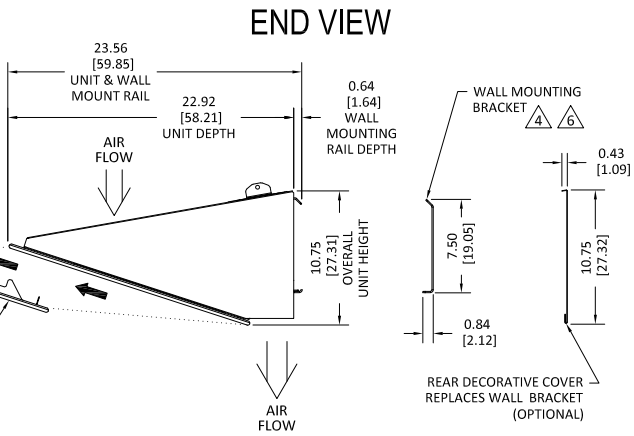
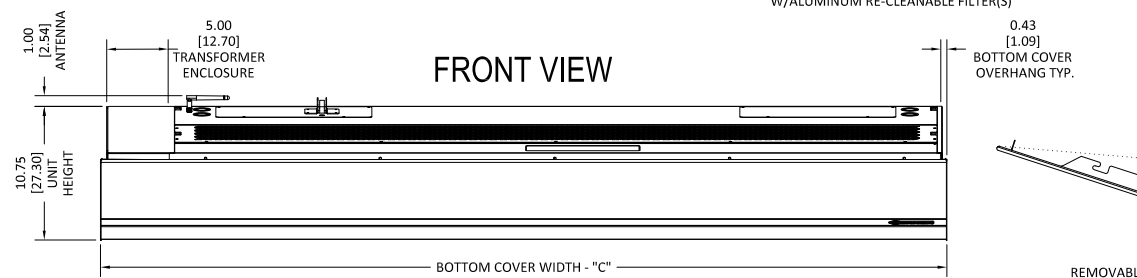
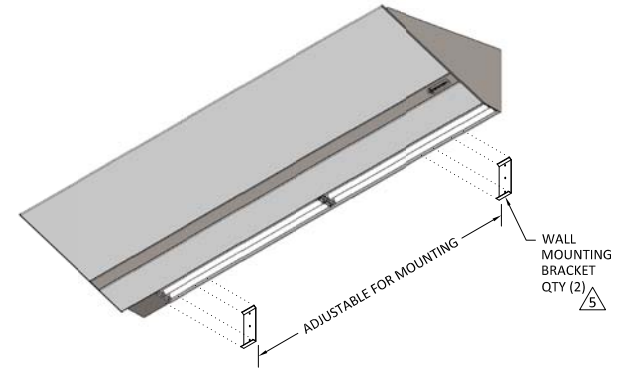
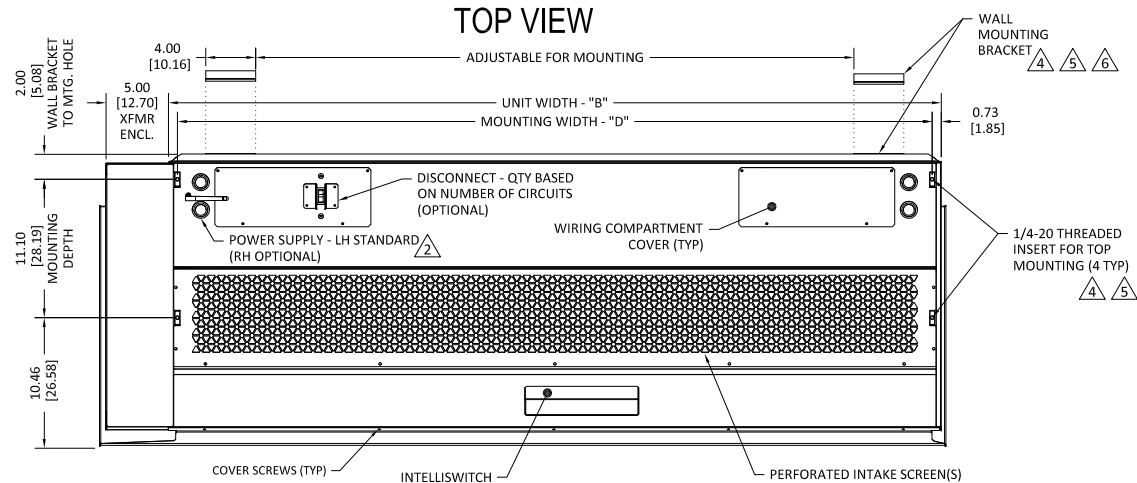
MODEL ¹	NOZZLE WIDTH "A"	UNIT WIDTH "B"	BOTTOM COVER WIDTH "C"	MOUNTING WIDTH "D"
AE08-E-1036A	36.00 [91.44]	38.00 [96.52]	38.85 [98.68]	36.50 [92.71]
AE08-E-1042A	42.00 [106.68]	44.00 [111.76]	44.85 [113.92]	42.50 [107.95]
AE08-E-1048A	48.00 [121.92]	50.00 [127.00]	50.85 [129.16]	48.50 [123.19]
AE08-E-1060A	60.00 [152.40]	62.00 [157.48]	62.85 [159.64]	60.50 [153.67]
AE08-E-1072A	72.00 [182.88]	74.00 [187.96]	74.85 [190.12]	72.50 [184.15]
AE08-E-2084A	84.00 [213.36]	86.00 [218.44]	86.85 [220.60]	84.50 [214.63]
AE08-E-2096A	96.00 [243.84]	98.00 [248.92]	98.85 [251.08]	96.50 [245.11]
AE08-E-2108A	108.00 [274.32]	110.00 [279.40]	110.85 [281.56]	108.50 [275.59]
AE08-E-2120A	117.00 [297.18]	119.00 [302.26]	119.85 [304.42]	117.50 [298.45]



- NOTES:**
- ¹ AIR CURTAIN MUST BE INSTALLED SO AIR STREAM IS NOT OBSTRUCTED WHEN DEFLECTED 20° TO EITHER SIDE OF ζ .
 - ² ELECTRICAL CONNECTIONS TO BE FLEXIBLE.
 - ³ FIELD VERIFY DIMENSIONS.
 - ⁴ ANCHORS TO SUPPORTING STRUCTURE BY OTHERS.
 - ⁵ ADEQUACY OF SUPPORTING STRUCTURE IS TO BE VERIFIED BY A PROFESSIONAL STRUCTURAL ENGINEER.
 - ⁶ UNIT MOUNTING HARDWARE INCLUDED, WALL MOUNTING BRACKET HARDWARE BY OTHERS.
 - ⁷ THE LAST CHARACTER IN THE MODEL NUMBER - "A" DESIGNATES AMBIENT (UNHEATED) UNIT.
 - ⁸ DIMENSIONS IN INCHES [CENTIMETERS].

PROJECT		TITLE:	BERNER
LOCATION			MODEL AE08-E AIR CURTAIN 120 - 277V & 380V AMBIENT (UNHEATED) SYSTEM
ARCHITECT			
ENGINEER			
DWG. NO.	AE08-E-AMB		
DATE	30JUL2020		
BY	S. Beil		
REPLACES	31JAN2020		
BY	S. Beil		
		BERNER INTERNATIONAL CORP. NEW CASTLE, PA.	

AE08-E AMBIENT (UNHEATED) SYSTEM: 600V



NOTES:

- 1 AIR CURTAIN MUST BE INSTALLED SO AIR STREAM IS NOT OBSTRUCTED WHEN DEFLECTED 20° TO EITHER SIDE OF ϕ .
- 2 ELECTRICAL CONNECTIONS TO BE FLEXIBLE.
- 3 FIELD VERIFY DIMENSIONS.
- 4 ANCHORS TO SUPPORTING STRUCTURE BY OTHERS.
- 5 ADEQUACY OF SUPPORTING STRUCTURE IS TO BE VERIFIED BY A PROFESSIONAL STRUCTURAL ENGINEER.
- 6 UNIT MOUNTING HARDWARE INCLUDED, WALL MOUNTING BRACKET HARDWARE BY OTHERS.
- 7 THE LAST CHARACTER IN THE MODEL NUMBER - "A" DESIGNATES AMBIENT (UNHEATED) UNIT.
- 8 DIMENSIONS IN INCHES [CENTIMETERS].
- 9 NO AIR FLOW, AREA HOUSES TRANSFORMER. CENTER ACTIVE NOZZLE WIDTH DIMENSION "A" OVER THE OPENING

MODEL	NOZZLE WIDTH "A"	UNIT WIDTH "B"	BOTTOM COVER WIDTH "C"	MOUNTING WIDTH "D"
AE08-E-1036A	36.00 [91.44]	38.00 [96.52]	43.85 [111.38]	36.50 [92.71]
AE08-E-1042A	42.00 [106.68]	44.00 [111.76]	49.85 [126.62]	42.50 [107.95]
AE08-E-1048A	48.00 [121.92]	50.00 [127.00]	55.85 [141.86]	48.50 [123.19]
AE08-E-1060A	60.00 [152.40]	62.00 [157.48]	67.85 [172.34]	60.50 [153.67]
AE08-E-1072A	72.00 [182.88]	74.00 [187.96]	79.85 [202.82]	72.50 [184.15]
AE08-E-2084A	84.00 [213.36]	86.00 [218.44]	91.85 [233.30]	84.50 [214.63]
AE08-E-2096A	96.00 [243.84]	98.00 [248.92]	103.85 [263.78]	96.50 [245.11]
AE08-E-2108A	108.00 [274.32]	110.00 [279.40]	115.85 [294.26]	108.50 [275.59]
AE08-E-2120A	117.00 [297.18]	119.00 [302.26]	124.85 [317.12]	117.50 [298.45]

PROJECT		TITLE:	BERNER MODEL AE08-E AIR CURTAIN 600V AMBIENT (UNHEATED) SYSTEM
LOCATION			
ARCHITECT			
ENGINEER			
DWG. NO.	AE08-E-AMB-TR		
DATE	30JUL2020		
BY	S. Beil		
REPLACES	-		
BY	-		
			BERNER INTERNATIONAL CORP. NEW CASTLE, PA.