



COOK ACSC/ACSC-HP/ACSC-XP

DATE: _____

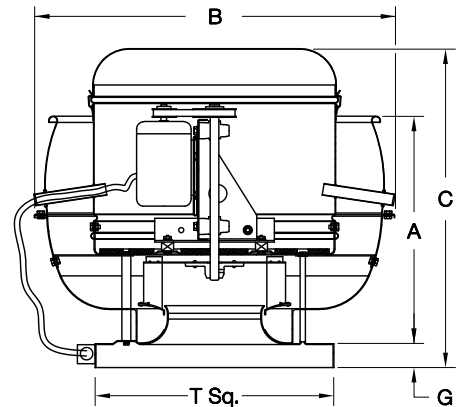
PROJECT: _____

LOCATION: _____

**Upblast Centrifugal
Exhaust Ventilator
Roof Mounted/Belt Drive**

DIMENSION DATA

Size	A	B	C			G	T Sq.	Roof Opening Sq.*	Ship Wt.
			ACSC	ACSC-HP	ACSC-XP				
100	12-1/2	25-1/4	20-3/16	-	-	2	18	13-1/2	36
120	19-1/16	30-3/16	28-1/4	-	-	2	20	15-1/2	69
135	19-1/16	30-3/16	28-5/8	-	-	2	20	15-1/2	75
150	20-15/16	34-11/16	30-1/4	27-1/2	-	2	24	19-1/2	88
165	20-15/16	34-11/16	30-3/4	27-3/4	26-11/16	2	24	19-1/2	96
180	24-13/16	39-7/16	35-7/8	33-3/8	31-9/16	3	30	25-1/2	114
195	24-13/16	39-7/16	36-3/8	33-1/2	32-1/8	3	30	25-1/2	126
210	25-15/16	45-1/4	38-3/8	35-3/8	32-3/4	3	30	25-1/2	239
225	25-15/16	45-1/4	38-1/8	35-1/2	33-5/16	3	30	25-1/2	267
245	28-1/2	49-1/4	41-1/16	37-5/16	34-1/16	3	30	25-1/2	294
270	28-1/2	49-1/4	41-1/16	37-5/16	35	3	36	31-1/2	322
300	33-7/8	54-1/4	49-15/16	45-15/16	41-7/16	3	36	31-1/2	397
330	34-1/8	54-1/4	50-7/16	46-11/16	43-1/8	3	42	37-1/2	441
365	36-3/8	64-1/4	52-7/16	48-7/16	44-1/4	3	42	37-1/2	499
402	37-7/8	64-1/4	54-11/16	-	-	3	48	43-1/2	612
445	42-7/8	76-1/4	57-3/16	-	-	3	54	49-1/2	709
490	44-5/8	76-1/4	58-1/16	-	-	3	54	49-1/2	816



ALL DIMENSIONS IN INCHES. WEIGHTS IN LBS., LESS MOTOR.
* ROOF OPENING SIZE FOR CURBS SUPPLIED BY COOK ONLY.

STANDARD CONSTRUCTION FEATURES:

Aluminum spun housing – Backward inclined all steel wheel –
Two piece top cap with stainless steel quick release latches – One piece bottom spinning – Steel curb cap with welded corners – Birdscreen – Lifting Lugs – Permanently lubricated ball bearing motors – Dual static Resistant Belts – sized for 150% of motor horsepower – Adjustable pitch drives through 5 hp motor – Corrosion resistant fasteners – Regreasable bearings in cast iron pillow block housing, rated at 200,000 hours average life – All fans factory adjusted to specified fan RPM – Transit tested packaging – Standard motors ship factory installed.

UL LISTED AS: "POWER VENTILATORS FOR SMOKE CONTROL SYSTEMS".

UL LISTED AND DESIGNED TO WITHSTAND TEMPERATURES OF 500°F. FOR 4 HOURS AND 1000°F. FOR 15 MINUTES.

ACCESSORIES

1. DISCONNECT SWITCH
2. RCG GALVANIZED CURB
3. EPOXY COATING W/UV
4. EPOXY PHENOLIC COATING
5. LORENIZED COATING
6. HINGED BASE

QTY	MARK	CATALOG NUMBER	FAN INFORMATION			MOTOR INFORMATION					ACCESSORIES										
			CFM	SP	RPM	HP	VOLTS	HZ	PH	TYPE											

MOTOR TYPE: ODP (OPEN DRIP-PROOF); 2 SP (2 SPEED); TEFC (TOTALLY ENCLOSED FAN COOLED); X-PRF (EXPLOSION PROOF).