



# COOK ACW-B/ACW-HP/ACW-XP

DATE: \_\_\_\_\_

PROJECT: \_\_\_\_\_

LOCATION: \_\_\_\_\_



**Centrifugal  
Exhaust Ventilator  
Wall Mounted/Belt Drive**

**DIMENSION DATA**

Size	A	B	C			D	Wall Opening		F	G	H	J	T Dia.	Approx. Ship Wt.
			ACW-B	ACW-HP	ACW-XP		Sqr	Rnd						
100	13	25-3/16	21-3/8	-	-	16-1/2	10	10	19-3/4	3/8	4	12-1/4	21-1/4	30
120	18-7/16	30-3/16	28-1/4	-	-	20-1/8	12	12	23-1/2	3/8	4	16	25	60
135	18-7/16	30-3/16	28-3/4	-	-	20-1/8	12	12	23-1/2	3/8	4	16	25	65
150	20-1/16	34-11/16	30-3/8	27-5/8	-	23-9/16	16	14	28-1/2	3/8	4	19-1/2	30	70
165	20-1/16	34-11/16	30-7/8	27-7/8	26-13/16	23-9/16	16	14	28-1/2	3/8	4	19-1/2	30	75
180	22-11/16	39-7/16	35-5/8	33-1/8	31-5/16	25-7/8	20	18	34-1/2	3/8	8	22-1/2	36	100
195	22-11/16	39-7/16	36-1/8	33-1/4	31-7/8	25-7/8	20	22	34-1/2	3/8	8	22-1/2	36	110
210	23-11/16	45-1/4	37-3/4	34-3/4	32-1/8	29-5/8	24	22	39-1/2	3/8	8	26	41	210
225	23-11/16	45-1/4	38-1/4	35-5/8	33-7/16	29-5/8	24	22	39-1/2	3/8	8	26	41	215
245	25-5/16	49-1/4	39-7/8	36-1/8	32-7/8	32-5/8	24	22	43-1/2	3/8	8	28	45	250

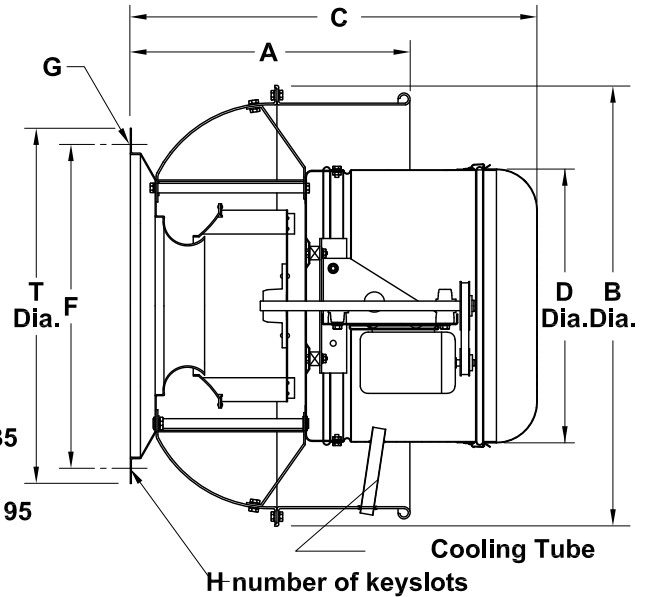
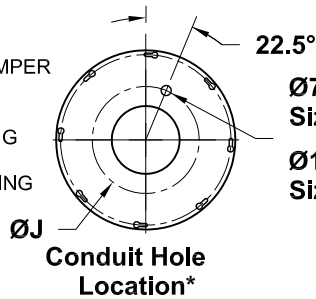
ALL DIMENSIONS IN INCHES. WEIGHTS IN LBS., LESS MOTOR.  
\*VIEWED FROM FAN SIDE.

**STANDARD CONSTRUCTION FEATURES:**

All aluminum housing - Backward inclined all aluminum wheel - Mounting flange with keyslots and template - Two piece top cap with stainless steel quick release latches - Birdscreen - Lifting lugs - Permanently lubricated ball bearing motors - Static resistant belts - Adjustable pitch drives through 2 hp motor - Corrosion resistant fasteners - Regreasable bearings in case iron pillow block housing, rated at 200,000 hours average life - All fans factory adjusted to specified fan RPM - Transit tested packaging - Standard motor ship factory installed.

**ACCESSORIES**

1. DISCONNECT SWITCH
2. GRAVITY BACKDRAFT DAMPER
3. INLET GRILL
4. EPOXY COATING
5. EPOXY PHENOLIC COATING
6. LORENIZED COATING
7. ANTI-CONDENSATE COATING
8. GREASE TERMINATOR
9. LESS BIRDSCREEN



QTY	MARK	CATALOG NUMBER	FAN INFORMATION			MOTOR INFORMATION					ACCESSORIES	
			CFM	SP	RPM	HP	VOLTS	HZ	PH	TYPE		

**MOTOR TYPE: ODP (OPEN DRIP-PROOF); 2 SP (2 SPEED); X-PRF (EXPLOSION PROOF); TEFC (TOTALLY ENCLOSED FAN COOLED)**