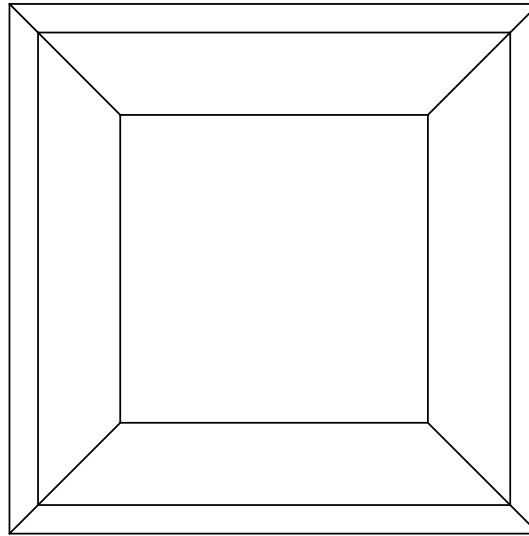




MODEL PSD-S

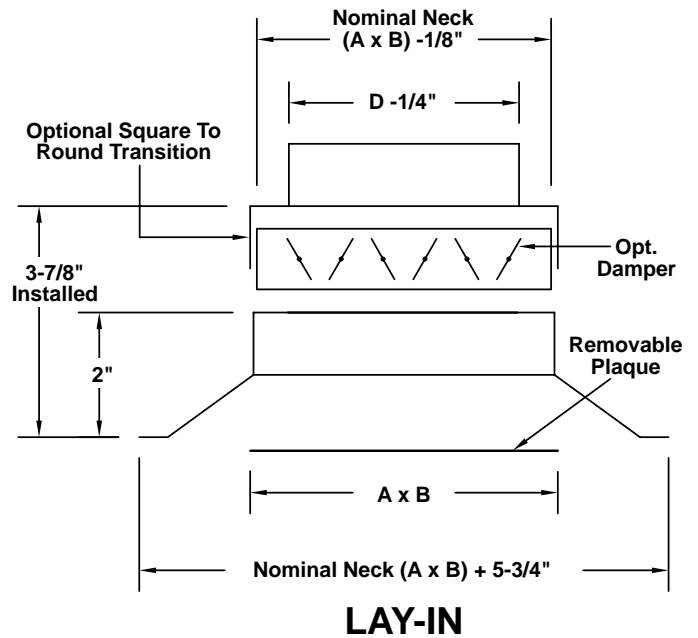
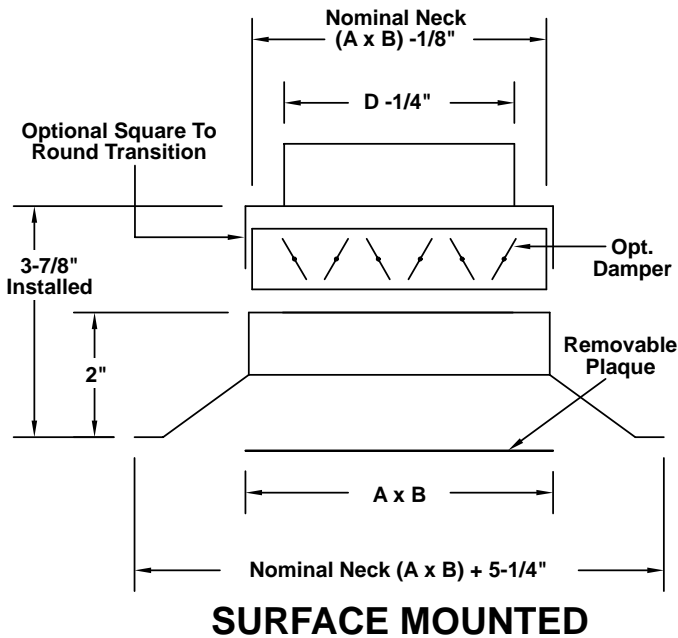
STAINLESS STEEL PLAQUE DIFFUSER WITH SQUARE NECK

TYPE 304 (STANDARD) OR 316 (OPTIONAL) STAINLESS STEEL CONSTRUCTION



CONSTRUCTION:

- 18 Ga. Stainless Steel Frame And Plaque With Satin Polished Finish.
- 24 Ga. Stainless Steel Neck.
- Square or Round Neck.
- Optional Damper of 304 S.S., 316 S.S. or Standard Steel.
- Surface Mount or Lay-In.



Qty.	Neck Size A x B	Round Neck Size D	Type S.S.		Mounting		Damper	Tag
			304	316	Surface	Lay-In		

To maintain KEES' policy of continuous product development, we reserve the right to change prices, specifications, ratings and dimensions without notice or obligation.

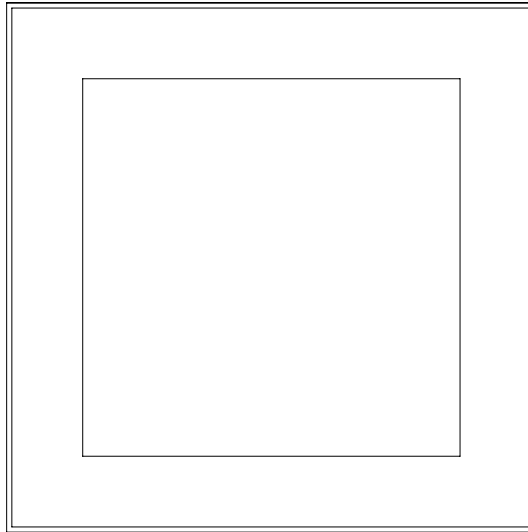
Project				Location		<p>KEES INCORPORATED 400 S. Industrial Dr. Elkhart Lake, WI 53020 Phone: (920) 876-3391 Fax: (920) 876-3065 Website: www.kees.com</p>
Engineer				Dwg. No.	SD-SSPD-S	
Architect				Date	08/13	
Contractor						



MODEL PSD-R

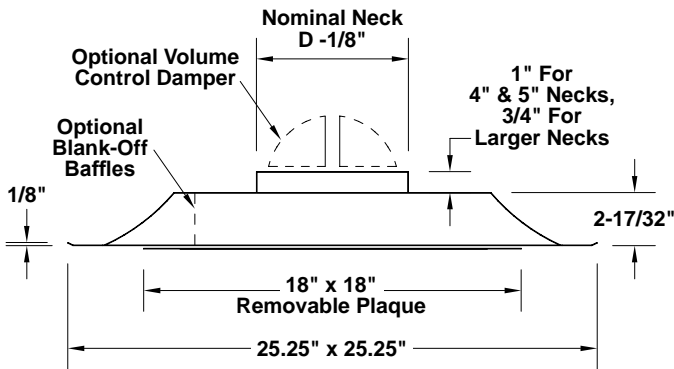
24" x 24" STAINLESS STEEL PLAQUE DIFFUSER WITH ROUND NECK

TYPE 304 STAINLESS STEEL CONSTRUCTION

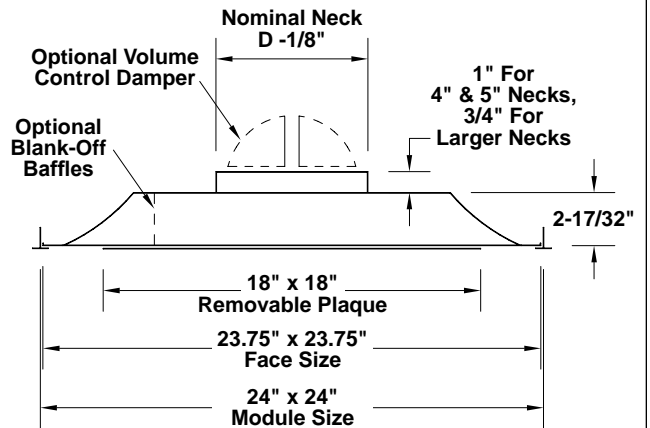


CONSTRUCTION:

- 22 Ga. Type 304 Stainless Steel Frame And Plaque With Satin Polished Finish.
- 24 Ga. Stainless Steel Neck.
- Round Neck; 4", 5", 6", 8", 10", 12", 14" or 15".
- Optional Damper of 304 S.S.
- Optional Blank-off Baffles, Field Installed.
- Surface Mount or Lay-In.



SURFACE MOUNTED



LAY-IN

Qty.	Mounting		Round Neck Size D	Damper	Baffles	Tag
	Surface	Lay-In				

To maintain KEES' policy of continuous product development, we reserve the right to change prices, specifications, ratings and dimensions without notice or obligation.

Project		Location		
Engineer				
Architect		Dwg. No.	SD-SSPD-R	
Contractor		Date	08/13	



KEES INCORPORATED
 400 S. Industrial Dr.
 Elkhart Lake, WI 53020
 Phone: (920) 876-3391
 Fax: (920) 876-3065
 Website: www.kees.com